

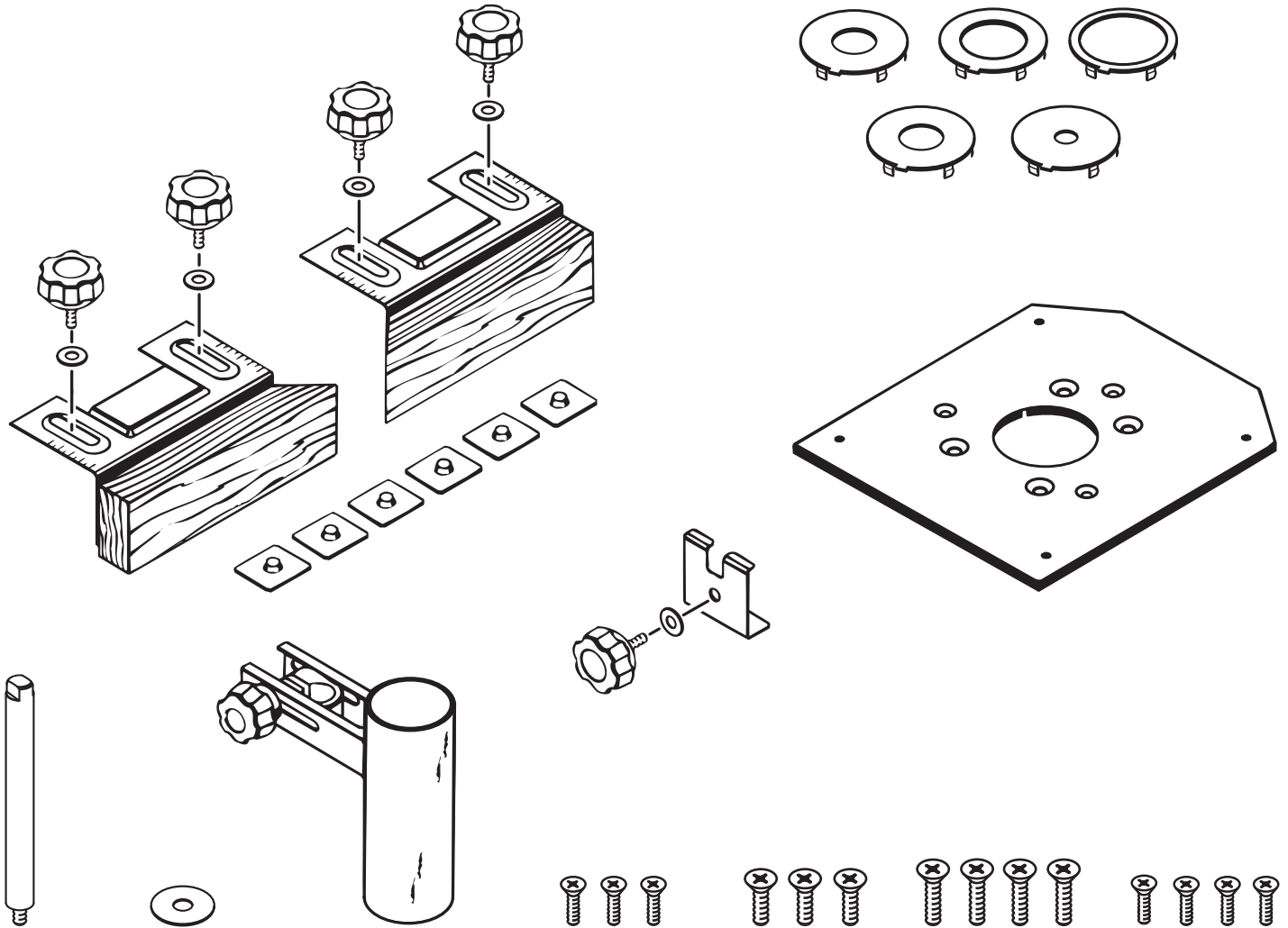


OPERATOR'S MANUAL

ROUTER MOUNTING KIT

4950301

(FOR USE WITH BT3000 AND BT3100 TABLE SAWS)



Your new router mounting kit has been engineered and manufactured to Ryobi's high standard for dependability, ease of operation, and operator safety. Properly cared for, it will give you years of rugged, trouble-free performance.

WARNING: To reduce the risk of injury, the user must read and understand the operator's manual.

Thank you for buying a Ryobi router mounting kit.

SAVE THIS MANUAL FOR FUTURE REFERENCE

TABLE OF CONTENTS

■ Rules for Safe Operation	3-4
■ Unpacking	5
■ Tools Needed	5
■ Loose Parts	6
■ Assembly	7-10
■ Router Mounting	11-12
■ Operation	12
■ Exploded View and Repair Parts List	14-15
■ Warranty, Parts and Service	16

RULES FOR SAFE OPERATION

Safe operation of this accessory requires that you read and understand this operator's manual, the operator's manual for the table saw and all labels affixed to the tool.

READ ALL INSTRUCTIONS

- **KNOW YOUR ACCESSORY.** Read the operator's manual carefully. Learn the product's applications and limitations as well as the specific potential hazards related to this product.
- **KEEP THE WORK AREA CLEAN.** Cluttered work areas and work benches invite accidents. **DO NOT** leave tools or pieces of wood on the saw while operating.
- **ALWAYS WEAR SAFETY GLASSES WITH SIDE SHIELDS.** Everyday eyeglasses have only impact-resistant lenses; they are **NOT** safety glasses.
- **DO NOT USE THIS PRODUCT WITH OTHER EQUIPMENT OR FOR OTHER PURPOSES.**
- **ALWAYS DISCONNECT THE SAW FROM THE POWER SUPPLY BEFORE ASSEMBLING THIS KIT.** Make sure the switch is off when reconnecting the saw to a power supply.
- **BEFORE MAKING A CUT, BE SURE ALL ADJUSTMENTS ARE SECURE.**
- **DO NOT USE AWKWARD HAND POSITIONS.**
- **KEEP FINGERS** away from the cutter; use fixtures when necessary.
- **ALWAYS USE THE DUST COVER** for overhead guarding.
- **DO NOT REMOVE JAMMED CUT OFF PIECES UNTIL** the switch is off, the cutter has stopped, and the tool has been disconnected from the power source.
- **HOLD WORKPIECE FIRMLY AGAINST THE TABLE.**
- **UNUSED SAW MAY CAUSE PERSONAL INJURY.** Disconnect the motor cord from the receptacle on your saw and plug the router power cord into the receptacle. Always use the saw's master switch to turn the router **ON** and **OFF**.
- **NEVER USE A ROUTER BIT** larger in diameter than the opening in the router mounting plate.
- **DO NOT MAKE ADJUSTMENTS** until the switch is off, the cutter has come to a complete stop, and the tool has been disconnected from the power source.
- **FEED WORKPIECE AGAINST ROTATION OF THE CUTTER.**
- **SAVE THESE INSTRUCTIONS.** Refer to them frequently and use them to instruct other users. If you loan someone this product, also loan these instructions.

RULES FOR SAFE OPERATION

The purpose of safety symbols is to attract your attention to possible dangers. The safety symbols, and the explanations with them, deserve your careful attention and understanding. The safety warnings do not by themselves eliminate any danger. The instructions or warnings they give are not substitutes for proper accident prevention measures.

SYMBOL	MEANING
--------	---------



SAFETY ALERT SYMBOL: Indicates danger, warning or caution. May be used in conjunction with other symbols or pictographs.



DANGER: Failure to obey a safety warning will result in serious injury to yourself or to others. Always follow the safety precautions to reduce the risk of fire, electric shock and personal injury.



WARNING: Failure to obey a safety warning can result in serious injury to yourself or to others. Always follow the safety precautions to reduce the risk of fire, electric shock and personal injury.



CAUTION: Failure to obey a safety warning may result in property damage or personal injury to yourself or to others. Always follow the safety precautions to reduce the risk of fire, electric shock and personal injury.



NO HANDS: Failure to keep your hands away from the blade will result in serious personal injury.



WET CONDITIONS ALERT: Do not expose to rain or use in damp locations.

NOTE:

Advises you of information or instructions vital to the operation or maintenance of the equipment.



The operation of any power tool can result in foreign objects being thrown into your eyes, which can result in severe eye damage. Before beginning tool operation, always wear safety goggles or safety glasses with side shields and a full face shield when needed. We recommend Wide Vision Safety Mask for use over eyeglasses or standard safety glasses with side shields. Always wear eye protection which is marked to comply with ANSI Z87.1.

SAVE THESE INSTRUCTIONS

UNPACKING

WARNING:

Do not attempt to operate this tool until you have read thoroughly and understand completely all instructions, safety rules, etc. contained in this manual. Failure to comply can result in accidents involving fire, electric shock, or serious personal injury. Save this operator's manual and review frequently for continuing safe operation and instructing others who may use this tool.

WARNING:

Unplug the power supply cord of your saw from the electrical outlet before you begin mounting this kit. It should remain disconnected until the mounting operation is complete, all attachments are installed properly, and they have been checked to make sure they are secure. Failure to unplug your saw could result in accidental starting causing possible serious personal injury.

INTRODUCTION

This kit gives you the capability of mounting a router on the accessory table of your saw. A router mounted on the accessory table will provide expanded capabilities for making rabbets, grooves, chamfers, dovetails, and mortise and tenon joints.

The additional versatility gained from use of this kit will turn your table saw into a remarkable wood-shaping center.

NOTE:

This router kit has been specifically designed for use with **Ryobi Routers Only**. The hole pattern on the mounting plate has **not** been drilled to accommodate other routers.

WARNING:

Attempting to assemble the Router Mounting kit or to use in any way without obtaining any missing parts and installing them correctly, could result in an accident resulting in possible serious injury.

INFORMATION

Remove the loose parts from the box. Make sure that all items listed in the loose parts list and shown in Figure 1 on page 6 are included.

- Remove the loose parts from the box. Make sure that all items listed in the loose parts list are included.
- Inspect all parts carefully to make sure no breakage or damage occurred during shipping.
- If any parts are damaged or missing, please call 1-800-525-2579 for assistance.

WARNING:

If any parts are missing do not assemble the kit until the missing parts are replaced. Failure to do so could result in serious personal injury.

TOOLS NEEDED

Tools needed for assembly of this kit are a phillips screwdriver, two flat head screwdrivers, and an adjustable wrench.

NOTE: The adjustable wrench will be used to tighten the threaded post into one of the special 5/16 in. T-nuts provided.

LOOSE PARTS

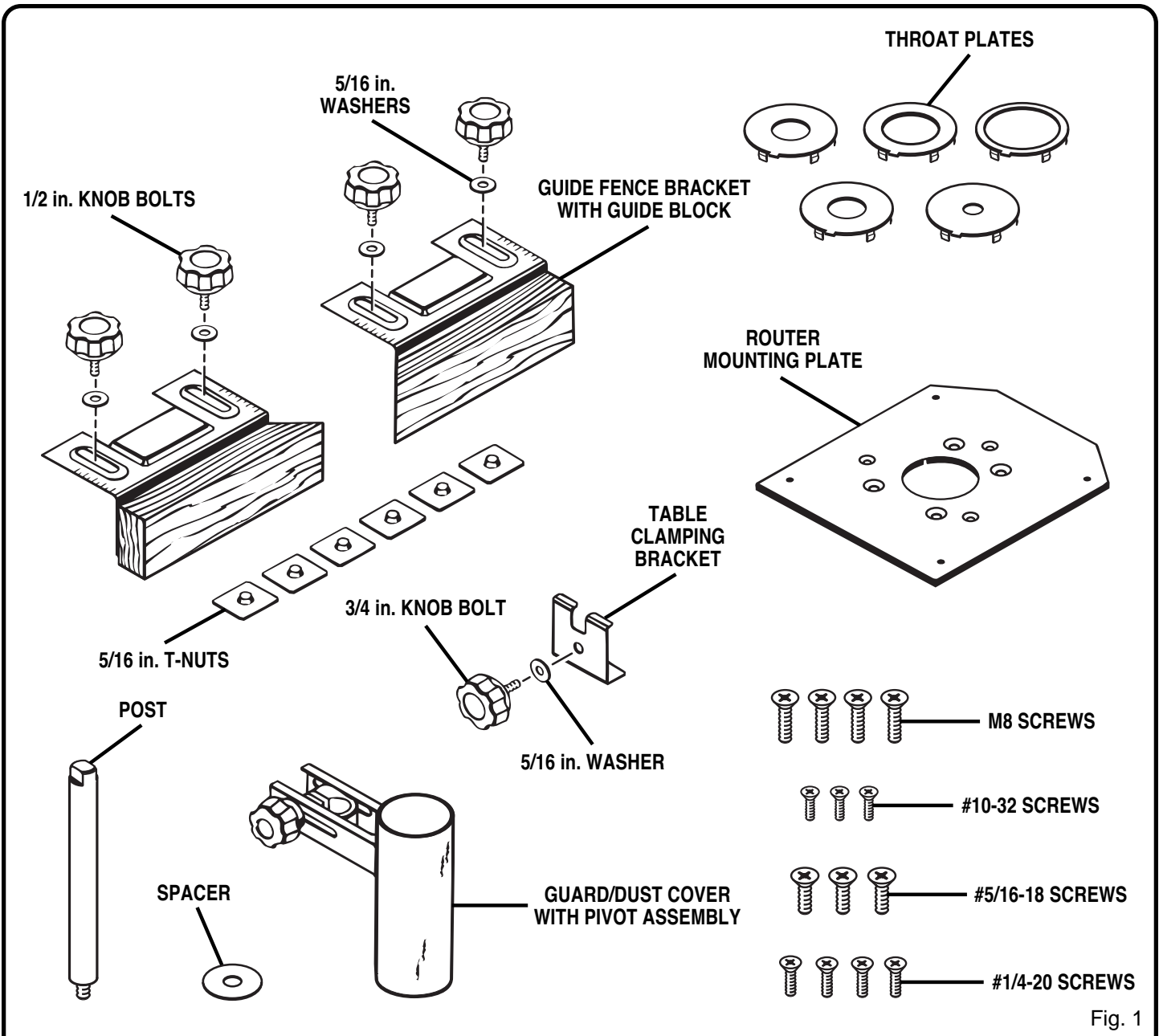


Fig. 1

LIST OF LOOSE PARTS

Your #4950301 Router Mounting Kit includes the following parts:

DESCRIPTION	QUANTITY	DESCRIPTION	QUANTITY
Guide Fence Bracket with Guide Block	2	Router Mounting Plate	1
Knob Bolt (5/16-18 x 1/2 in. for Guide Fence)	4	Table Clamping Bracket	1
5/16 in. Washer	5	Knob Bolt (#5/16-18 x 3/4 in. for Table Clamp)	1
5/16 in. T-Nut (Special)	6	Screw (M8 x 24 mm flat head)	4
Spacer	1	Screw (#10-32 x 1/2 in. flat head)	3
Post	1	Screw (#5/16-18 x 3/4 in. flat head)	3
Guard/Dust Cover with Pivot Assembly	1	Screw (#1/4-20 x 1/2 in. flat head)	4
Throat Plates	5		

ASSEMBLY



WARNING:

The saw's motor cord must be disconnected from the receptacle on the saw when using this kit. The power cord of the router must be plugged into the receptacle on the saw. The saw's master switch must be used to turn the router **ON** and **OFF**. Failure to do so could result in serious injury.

IMPORTANT

This router kit has been specifically designed for use with **Ryobi Routers**. The hole pattern on the mounting plate has **not** been drilled to accommodate other routers.

NOTE: Mounting screws for Ryobi routers, model numbers R160, R161, R165, RE170, RE170VS, R175, RE175, R180, RE185, RE600, and RE601 are provided in this kit. Models R175 and RE180PL must also use #4830175 depth control kit, which is sold separately.

TO INSTALL T-NUTS FOR GUIDE FENCE BRACKETS:

See Figure 2.

This kit requires that five of the six special 5/16 in. T-nuts provided fit in the top channel of the rip fence on your table saw.

- Place miter fence against blade and lock in place.
- Using the appropriate allen wrench supplied with your table saw, remove the rear adjustment screw and washer on top of the rip fence.
- Slide one of the T-nuts into the top channel of rip fence and place between the two adjustment screws.
- **NOTE:** T-nuts install from the rear of the rip fence.
- Replace the washer and the rear adjustment screw and tighten securely.
- Check the rip fence for squareness with the saw blade.
- Unlock the rip fence, slide it away from the saw blade, and lock it in place.
- Slide the four remaining T-nuts into the top channel of rip fence. See Figure 3.

NOTE: Five T-nuts should be in the top channel of the rip fence with only one of them between the adjustment screws on the rip fence.

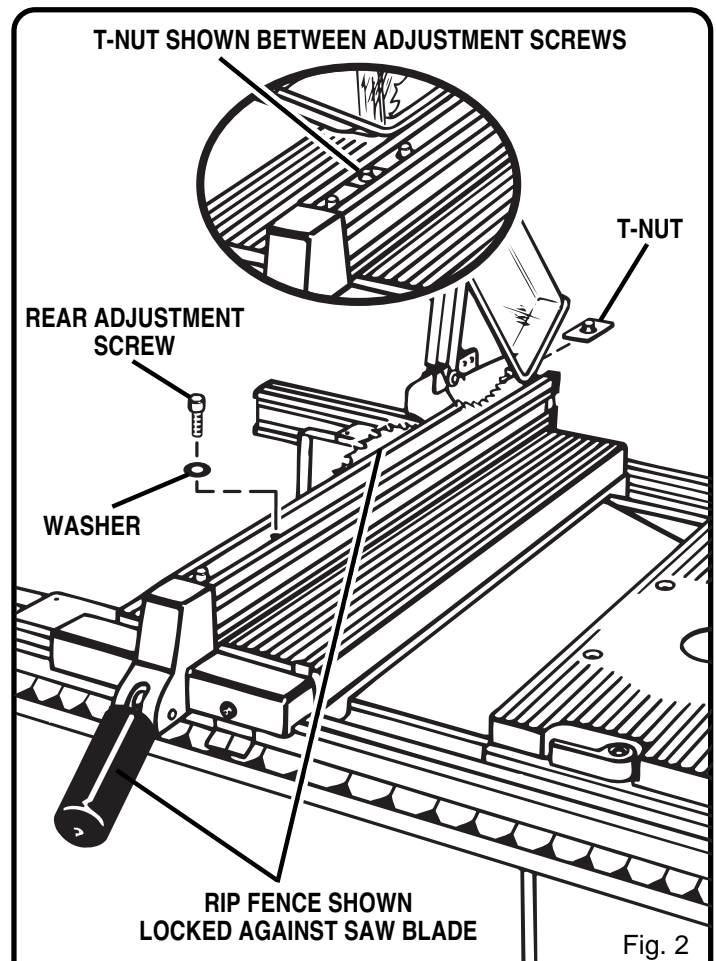


Fig. 2

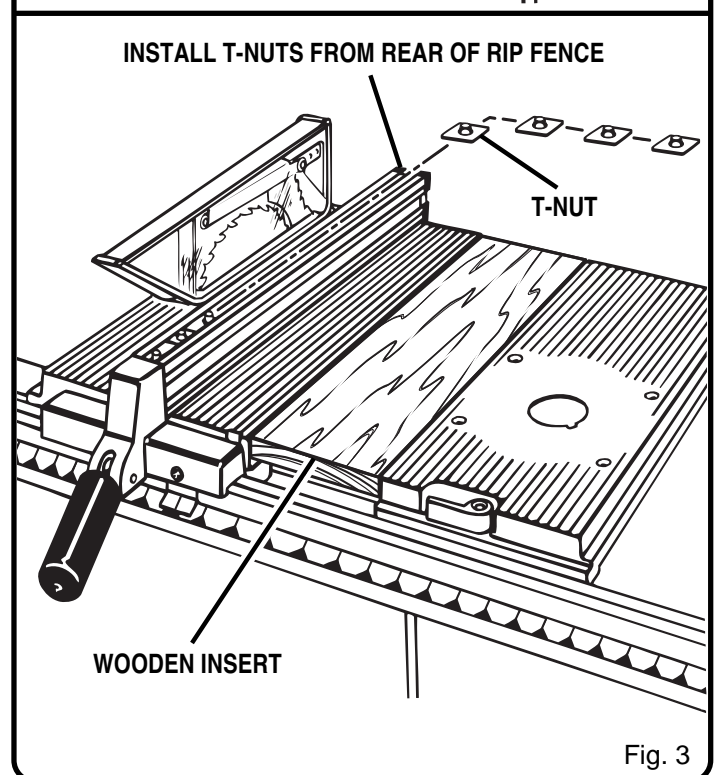


Fig. 3

ASSEMBLY

TO INSTALL GUIDE FENCE BRACKETS:

- To install the guide fence brackets, align each bracket with two of the T-nuts on top of the rip fence. See Figure 4.

NOTE: Use the front two T-nuts and the back two T-nuts leaving the one in the middle empty.

- Secure the guide fence brackets to the rip fence with 5/16 in. washers and the 5/16 in. x 1/2 in. knob bolts.

TO INSTALL POST, GUARD/DUST COVER WITH PIVOT ASSEMBLY:

- Place the spacer on the threaded end of the post and thread the post into the remaining T-nut. See Figure 4.
- Tighten the post securely with an adjustable wrench on the flats on the top of the post.
- Place the guard/dust cover with pivot assembly on the post. See Figure 4.
- The assembly will slide up and down on the post as needed. Secure at the desired location by tightening the knob nut attached to the carriage bolt.

TO ASSEMBLE ROUTERS WITH 2-HOLE PATTERN TO ROUTER MOUNTING PLATE:

See Figures 5 and 6.

For Ryobi routers, model numbers R175, RE175, and RE180PL.

NOTE: Models R175 and RE180PL must also use #4830175 depth control kit.

- Unplug the router.

WARNING:
Unplug the router to avoid possible injury.

- The black plastic subbase is glued to the router base. Do not remove. Make sure the router switch is **OFF** and the router is not connected to a power source.
- Place the router upside down on a workbench and align mounting holes of the mounting plate with the two threaded holes in the router base.
- The switch handle of the router should be facing the squared end of the mounting plate. See Figure 5.

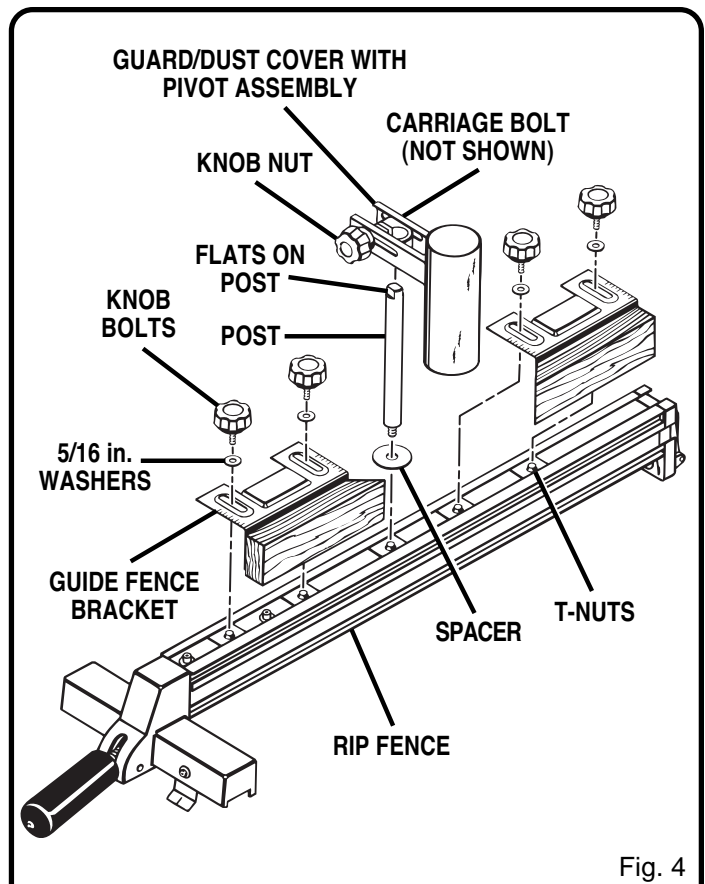


Fig. 4

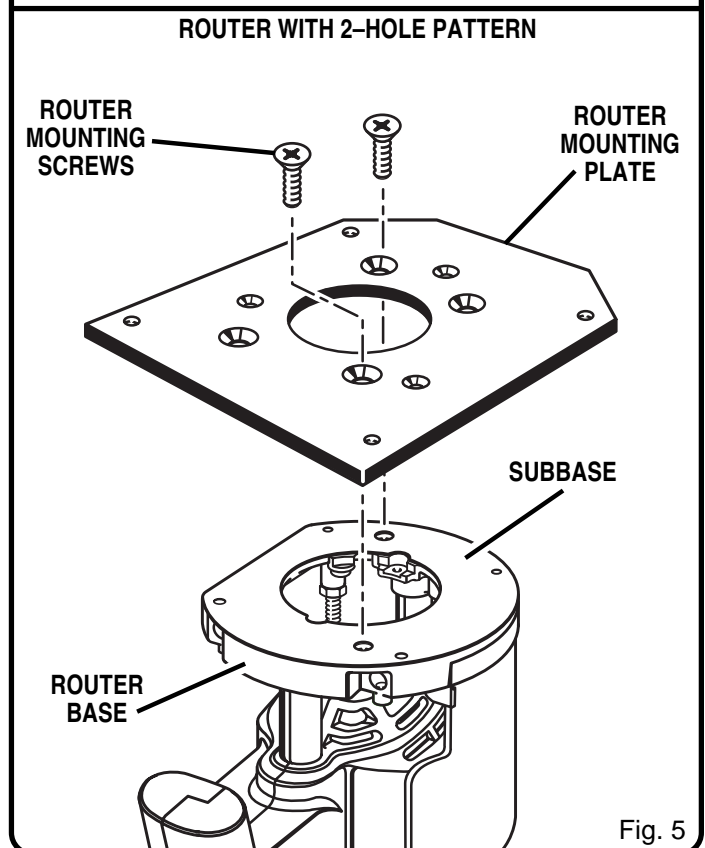


Fig. 5

ASSEMBLY

TO ASSEMBLE ROUTERS WITH 2-HOLE PATTERN TO ROUTER MOUNTING PLATE (cont'd):

See Figures 5 and 6.

- Secure the router mounting plate to the router using two 5/16-18 x 3/4 in. bolts provided in the router mounting kit. Tighten screws securely.
- Properly installed, the mounting plate will be securely attached to the router.
See Figure 6.

TO ASSEMBLE ROUTERS WITH 3-HOLE PATTERN TO ROUTER MOUNTING PLATE:

See Figures 7 and 8.

For Ryobi routers, model numbers R160, R161, R165, RE170, RE170VS, R180, and RE185.

- Unplug the router.



WARNING:

Unplug the router to avoid possible injury.

- Make sure the router switch is **OFF** and the router is not connected to a power source.
- Place the router upside down on a workbench and remove the subbase screws and subbase from the router.
- Align mounting holes of the mounting plate with the three threaded holes in router base.
- The switch handle of the router should be facing the squared end of the mounting plate.
See Figure 7.
- Secure the router mounting plate to the router using three 5/16-18 x 3/4 in. bolts provided in the router mounting kit. Tighten screws securely.
- Properly installed, the mounting plate will be securely attached to the router.
See Figure 8.

2-HOLE ROUTER WITH MOUNTING PLATE ATTACHED

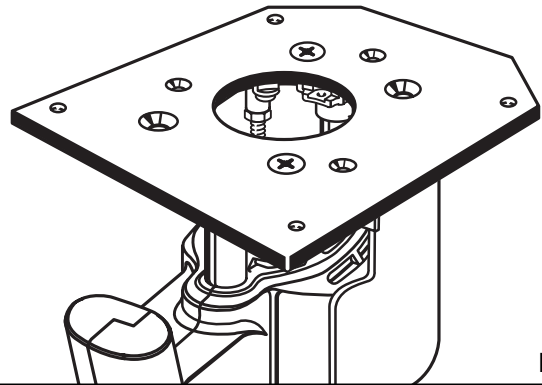


Fig. 6

ROUTER WITH 3-HOLE PATTERN ROUTER MOUNTING PLATE

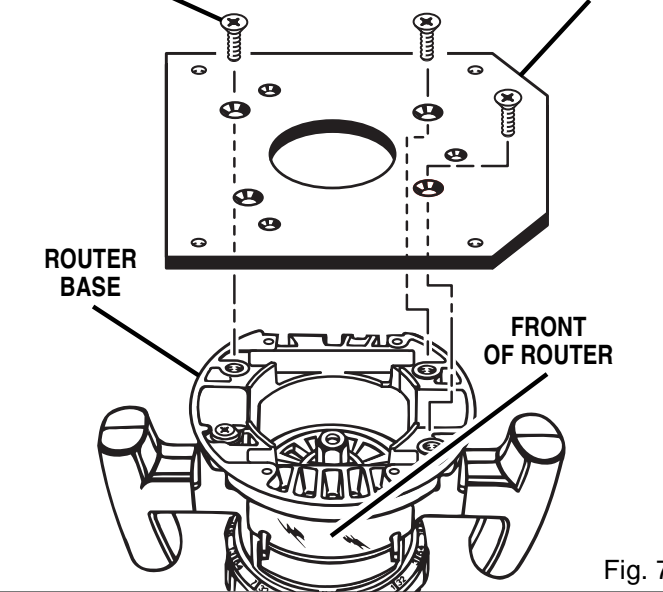


Fig. 7

3-HOLE ROUTER WITH MOUNTING PLATE ATTACHED

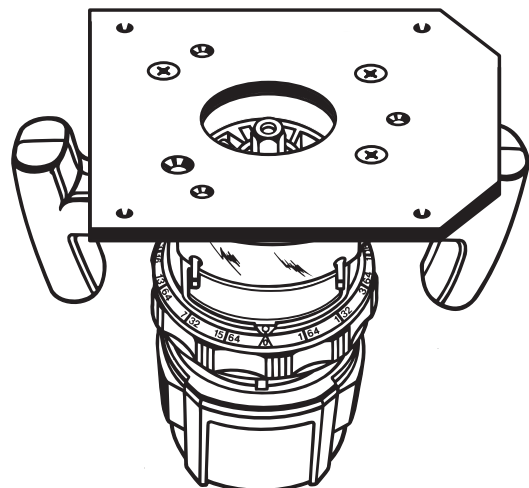


Fig. 8

ASSEMBLY

TO ASSEMBLE ROUTERS WITH 4-HOLE PATTERN TO ROUTER MOUNTING PLATE:

See Figures 9 and 10.

For Ryobi routers, model numbers RE600 and RE601.

- Unplug the router.



WARNING:

Unplug the router to avoid possible injury.

- Make sure the router switch is **OFF** and the router is not connected to a power source.
- Place the router upside down on a workbench and remove the subbase screws and subbase from the router.
- Align mounting holes of the mounting plate with the four threaded holes in the router base.
- The switch handle of the router should be facing the squared end of the mounting plate.
See Figure 9.
- Secure the router mounting plate to the router using four M8 flat head screws provided in the router mounting kit. Tighten screws securely.
- Properly installed, the mounting plate will be securely attached to the router.
See Figure 10.

NOTE: The clearance needed for mounting a router to the table creates a gap between the accessory table and the saw table. This gap must be filled with a 22 in. wooden insert of appropriate width. This insert should be 1-1/2 in. thick. Place this wooden insert in the gap, level with the accessory table. Assure that the insert does not interfere with the rip fence. The rip fence should be positioned over the accessory table and the wooden insert, as appropriate. *See Figures 2 and 3.*



WARNING:

Any gap between the tables resulting from the router set up must be filled to reduce the risk of serious injury.

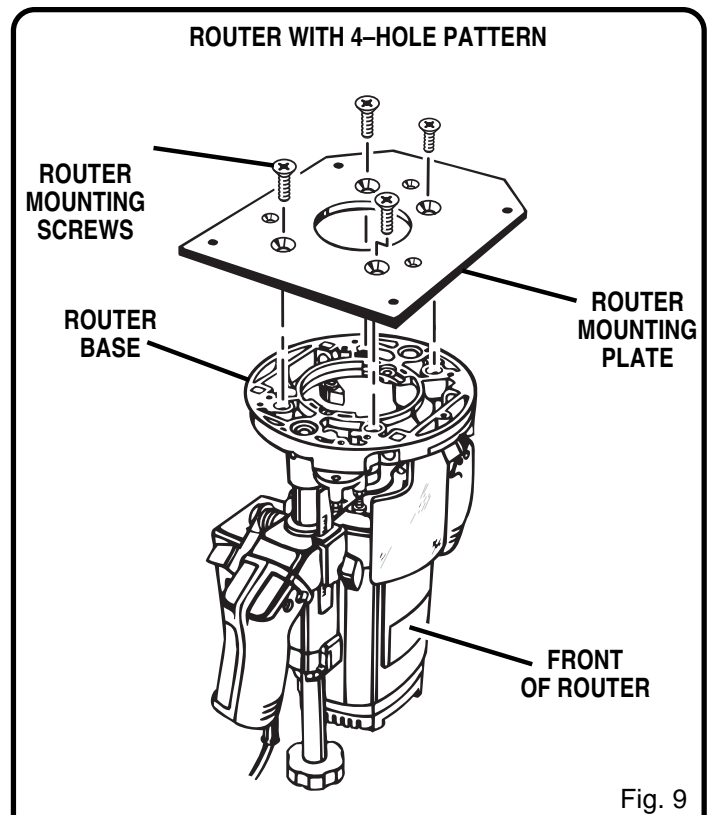


Fig. 9

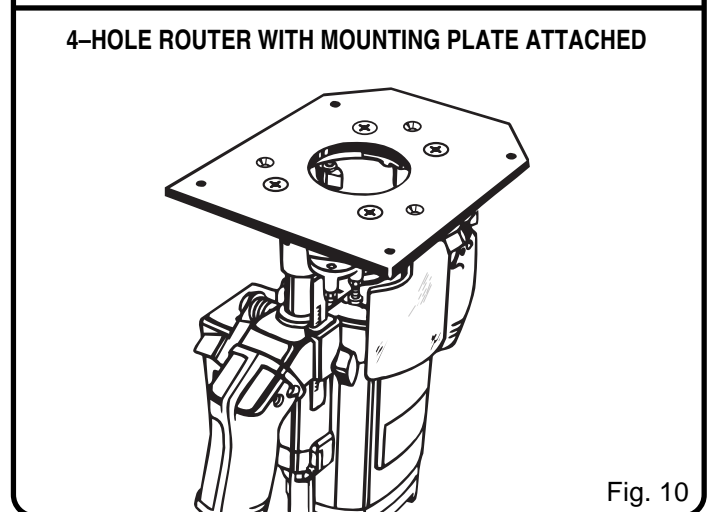


Fig. 10

ROUTER MOUNTING

TO MOUNT ROUTER WITH PLATE TO ACCESSORY TABLE:

- Place the router with the mounting plate under the accessory table. See Figure 11.
 - Secure the mounting plate to accessory table using the four #1/4-20 x 1/2 in. flat head screws provided.
- NOTE:** The accessory table can be removed from the table saw to attach the router and mounting plate. Follow instructions in the table saw operator's manual for removing and reattaching the accessory table.
- Tighten screws securely.

TO INSTALL ROUTER BIT AND THROAT PLATE:

- Follow the instructions in the operator's manual of your router for this procedure. Install router bit and securely tighten in collet.



CAUTION:

Make sure the router bit will not strike the accessory table or any metal surface.

- Select the correct size throat plate for the size of the router bit. Align the tab on the throat plate with the slot in the accessory table and snap in place. Make sure the throat plate is firmly seated below the table surface. Recheck the router bit to make sure it will not strike the throat plate.



WARNING:

The router throat plates are included to assure no more than 1/4 in. (6.4 mm) clearance between the cutter and the opening in the throat plate. Use correct throat plate. Do not use a router bit smaller than 1/8 in. (3.2 mm) or larger than 2 in. (50 mm) in diameter.

TO INSTALL TABLE CLAMPING BRACKET:

The lever on the accessory table will tighten the table securely to the front rail. The weight of the router and mounting plate may cause the accessory table to loosen or have movement at the rear of the table. To avoid this, install the table clamping bracket supplied with this kit.

- Remove end plug from rear rail as shown in Figure 12.
- Slide one of the T-nuts into the front channel of the rear rail and under the accessory table.
- The table clamping bracket fits in the bottom slot of the rear rail. The slotted top of this bracket wraps

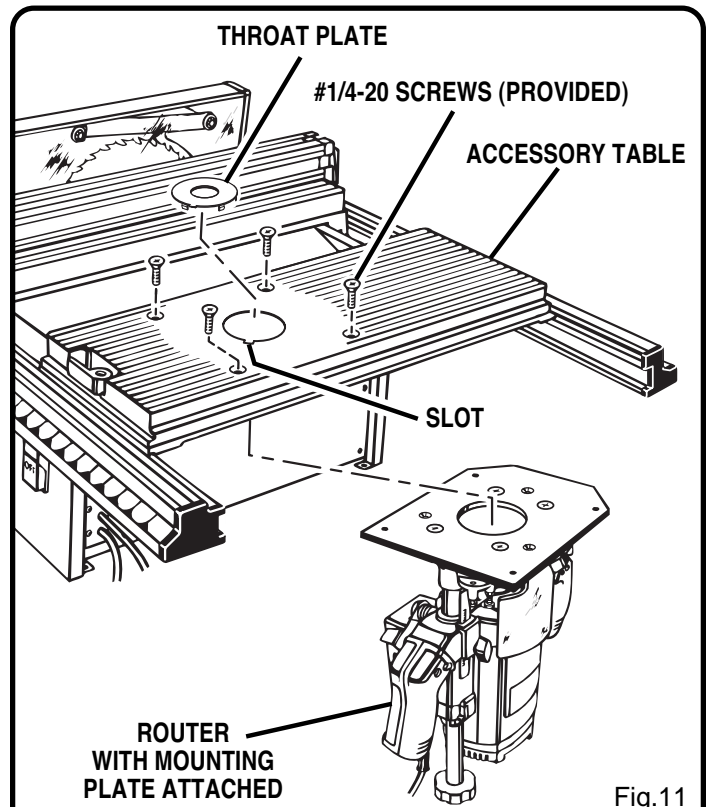


Fig.11

TABLE CLAMPING BRACKET SHOWN COMPLETELY ASSEMBLED

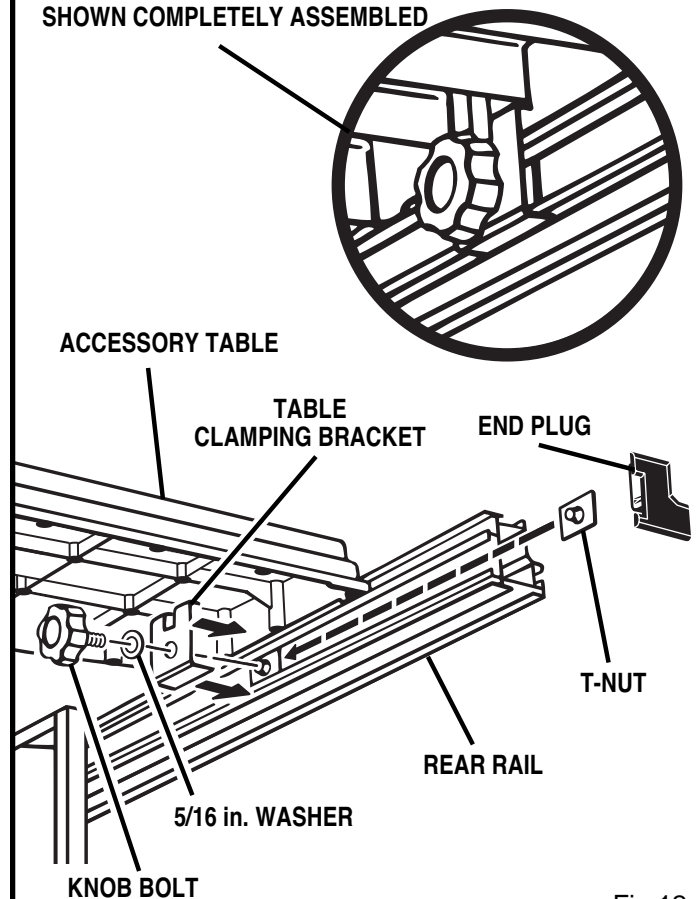


Fig.12

ROUTER MOUNTING

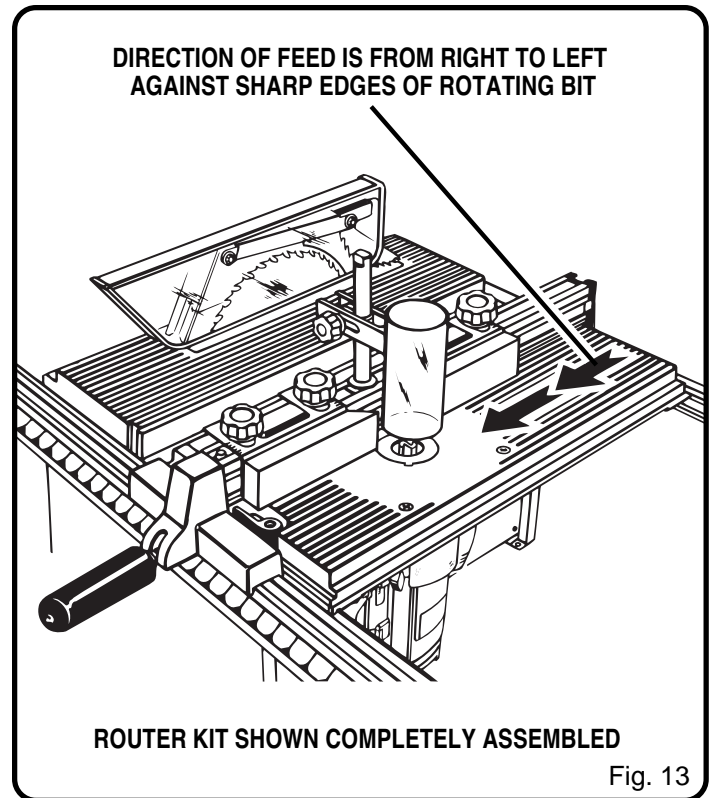
around the raised portion on the underside of the accessory table, clamping it tightly against the rear rail.

- Secure with a 5/16 in. washer and 5/16-18 x 3/4 in. knob bolt.
- Tighten knob bolt securely.

FINAL ASSEMBLY:

After the router mounting parts have been assembled, your setup should be similar to *Figure 13*.

- Compare your setup and make any necessary adjustments.
- Recheck all knob bolts, attachments, etc., and securely tighten.



OPERATION

FINAL PREPARATION FOR OPERATION

See *Figure 13*.

- Adjust dust cover so that it will not come in contact with workpiece during a cutting operation.
- Direction of feed of workpiece is from right to left as shown by the arrows in figure 13.
- The workpiece must always be tight against the guide fence, unless a ball bearing piloted bit is being used. The infeed fence should be adjusted to support the uncut workpiece while the outfeed fence should be adjusted to properly support the workpiece after the cut passes the router bit, compensating for the removed stock.

WARNING:

The direction of feed for the workpiece is always against the sharp edges of the bit and into the rotation of the cutter. Failure to heed this warning can result in serious personal injury.

WARNING:

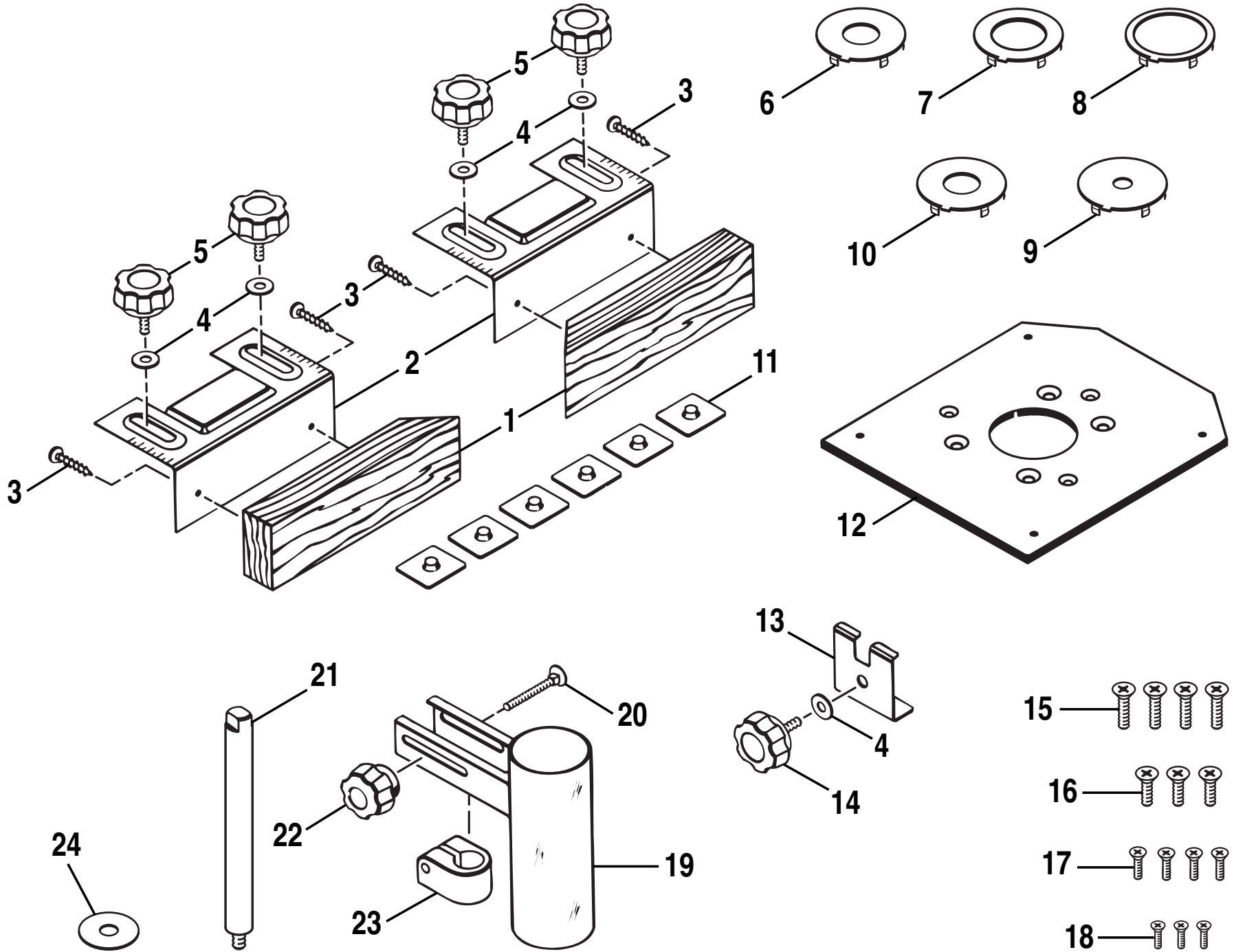
Do not use the guide fence with ball-bearing piloted bits. Failure to heed this warning can result in serious personal injury.

WARNING:

The guard/dust cover must be used in all routing operations. Do not attempt freehand use on workpieces larger than 6 in. (15 cm) in diameter.

NOTES

4950301 ROUTER MOUNTING KIT



4950301 ROUTER MOUNTING KIT

Now that you have purchased your **Router Mounting Kit**, should a need ever exist for repair parts or service, simply contact your nearest **Ryobi Authorized Service Center**. Be sure to provide all pertinent facts when you call or visit.

PARTS LIST

KEY NO	PART NUMBER	DESCRIPTION	QUANTITY
1	969966-001	Guide Block	2
2	969965-002	Guide Fence	2
3	969969-001	Wood Screw (#10 x 5/8 in. round head)	4
4	906382-361	5/16 in. Washer	5
5	661815-001	Knob Bolt (#5/16-18 x 1/2 in.)	4
6	975424-003	Throat Plate (1 in.)	1
7	975424-004	Throat Plate (1-1/2 in.)	1
8	975424-005	Throat Plate (2 in.)	1
9	975424-002	Throat Plate (1/2 in.)	1
10	975424-006	Throat Plate (1-1/8 in.)	1
11	969251-001	5/16 in. T-Nut (Special)	6
12	969961-003	Router Mounting Plate	1
13	661710-001	Table Clamping Bracket.....	1
14	661815-002	Knob Bolt (#5/16-18 x 3/4 in.)	1
15	982537-001	Screw (M8 x 24 mm flat head)	4
16	973605-001	Screw (#5/16-18 x 3/4 in. flat head)	3
17	622183-053	Screw (#1/4-20 x 1/2 in. flat head)	4
18	614661-001	Screw (#10-32 x 1/2 in. flat head)	3
19	969971-001	Guard/Dust Cover with Decal	1
20	621433-017	Carriage Bolt (#1/4-20 x 1-9/16 in.)	1
21	969967-002	Post	1
22	661816-001	Knob Nut (#1/4-20 x 1-3/4 in. diameter)	1
23	969972-001	Dust Cover Pivot	1
24	969968-002	Spacer	1
	983000-155	Operator's Manual	



OPERATOR'S MANUAL

#4950301 ROUTER MOUNTING KIT

(FOR USE WITH THE BT3000 AND BT3100 TABLE
SAWS)

WARRANTY

Ryobi warrants its accessories for a period of 90 days from the date of purchase. Batteries and chargers are warranted for a period of two years from the date of purchase.

PARTS AND SERVICE

For parts or service, contact your nearest Ryobi authorized service center. Be sure to provide all relevant information when you call or visit. For the location of the authorized service center nearest you, please call 1-800-525-2579 or visit us online at www.ryobitools.com. When ordering parts, always give the model number:

MODEL NUMBER 4950301

RYOBI TECHNOLOGIES INC.

1428 Pearman Dairy Road Anderson SC 29625
Post Office Box 1207 Anderson SC 29622-1207
Phone 1-800-525-2579
www.ryobitools.com